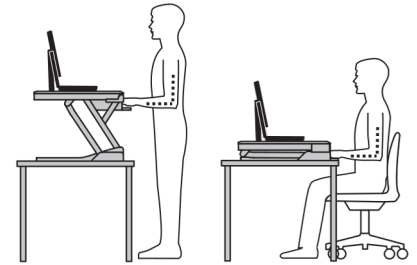
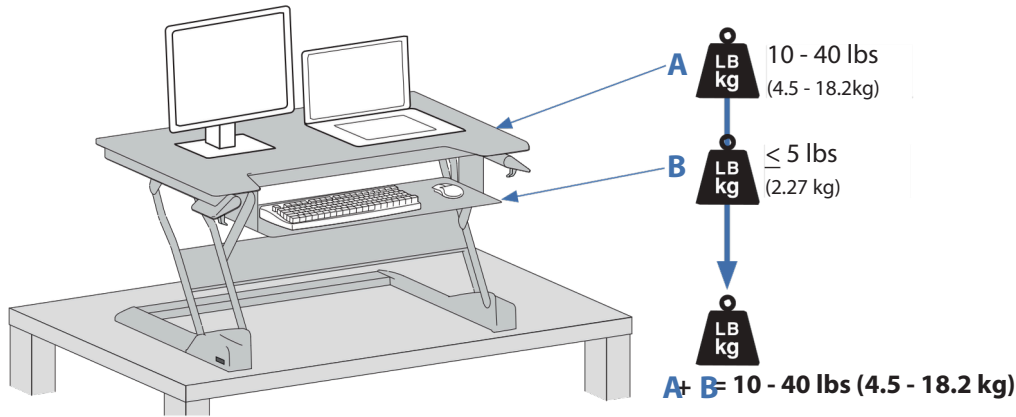
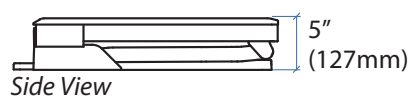
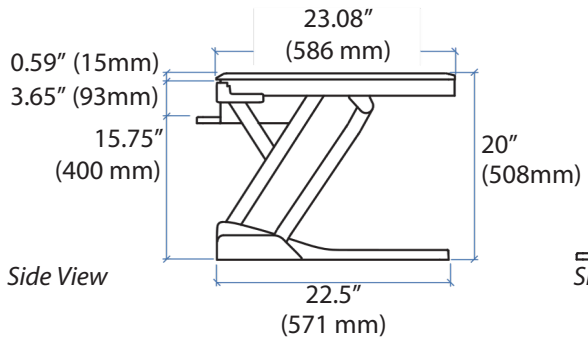
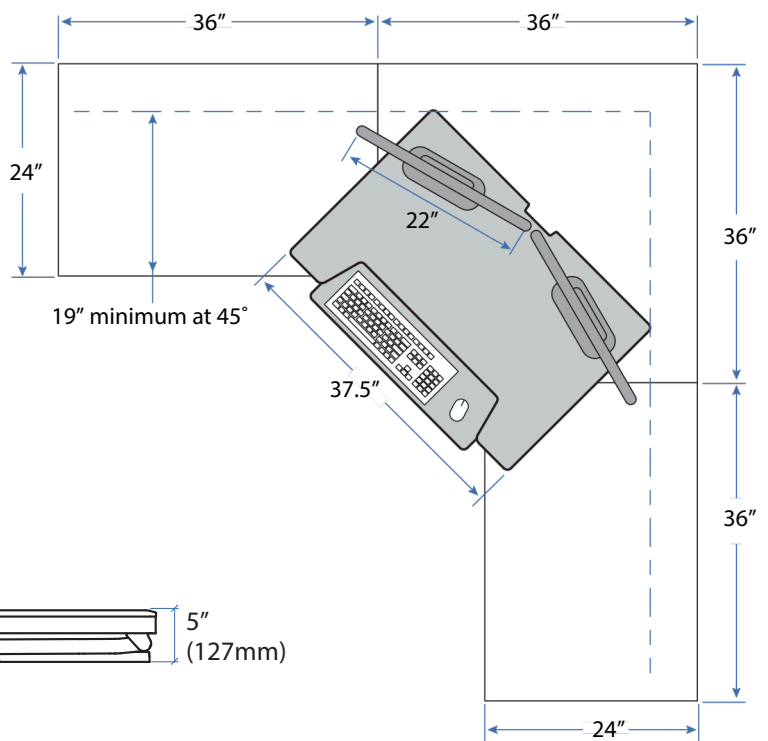
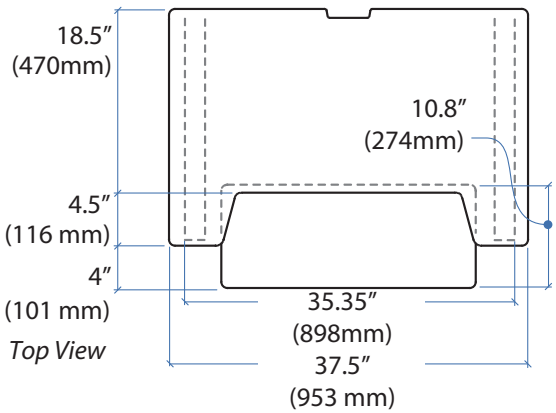
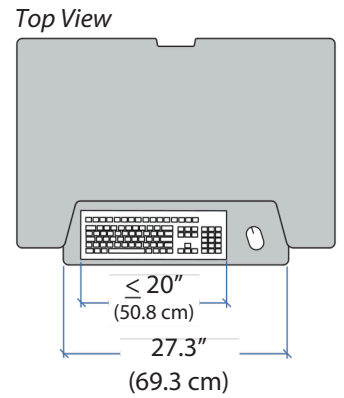
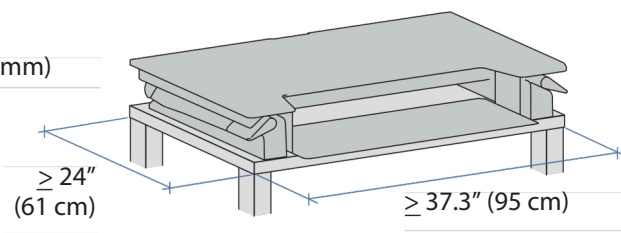
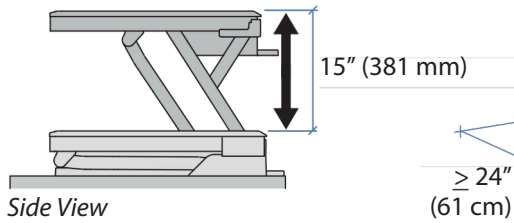


ErgoTron Workfit T-Large Standing Desk Converter

Weight Capacity



Dimensions



Shown on a 90° corner work surface.
Top View