

rh extend



The RH Extend is a user friendly, ergonomic and durable chair range. Because the RH Extend is easy to adjust, it is ideal for workplaces where several people use the same chair or where it is necessary to make quick adjustments. All controls are conveniently located on the right while all adjustable parts of the chair are clearly marked. The design of RH Extend is based on 2PP™, our unique philosophy of ergonomics. Two versions of the RH Extend are available, along with a range of accessories

Our philosophy of ergonomics

At RH Chairs we have our own philosophy of ergonomics based on the two important principles of upright posture and active sitting. These principles improve breathing and circulation and stimulate the muscles. The philosophy is evident in the RH Extend through the unique "two-point principle" or 2PP™, which ensures that your body receives the variation and support it requires as you move. Because the chair's basic settings do not change, this helps you to do more and perform better.

The neckrest can be adjusted by height and depth, providing comfort and support.

The robust backrest is available in two sizes and is equipped with a "Tvedts" cushion, providing superb support for the whole upper body. The shape of the backrest encourages movement and the height is adjusted with the simple push of a button.

The controls for the height and depth of the seat, as well as for the angle of the backrest (RH Extend 220/200) are all conveniently located on the right-hand side of the chair. The correct height improves blood flow in the legs while the correct seat depth provides greater comfort and support. Pictograms make controls easy to understand.

The tilt mechanism is infinitely adjustable, with a smooth action that can be locked in any chosen position. Dynamic seating means the chair follows your every movement regardless of working position providing complete support, enabling you to always sit correctly and breathe properly.

The base is made of aluminium with black scuff caps.

Castors for both soft and hard floors are available.

rh extend



Armrests are optional but are recommended since they provide relief for the shoulders. Two armrest variants are available. Both can be adjusted by height and width, while one can also be adjusted by depth and the other can be rotated 360 degrees.

The seat provides excellent support and has a waterfall edge to reduce pressure on the underside of the thighs, aiding circulation. It is also designed to keep you positioned in the middle of the seat, even when it is inclined forward. Both the seat and backrest pads are easily exchanged. Should they become worn or stained or you want to change them for any other reason, you don't need to replace the entire chair, which is not only cost effective and practical but also great for the environment.

The resistance of the tilt mechanism is simply adjusted according to body weight and height. This allows the chair to follow your movements without the need to exert muscular force to push the chair into new positions. The control is located beneath the seat.

Different styles for
different tasks



RH Extend 100

Same functions as RH Extend 120 although with a lower backrest.

RH Extend 200

The RH Extend 200 offers the same functions as RH Extend 220 but with a lower backrest.



RH Extend 120

The RH Extend 120 offers a backrest and seat angles that move simultaneously when you change your position. The chair maintains its basic settings regardless of whether you lean forwards or backwards or whether you lock or release the tilt mechanism – a practical and simple alternative when several people use the same chair.

RH Extend 220

RH Extend 220 has a tilt mechanism and backrest that can be adjusted separately. The back plate can be angled precisely according to individual preference, making this a uniquely adjustable and user-friendly chair.

An environmentally intelligent chair

All chairs from RH are as kind to the environment as they are good for the body. Like all our chairs, the RH Extend is 100 per cent recyclable. Many of its components are made from recycled materials, our manufacturing processes use low energy technology and, when your RH Extend has come to the end of its working life, it can be returned for recycling.

Exchangeable pads

The seat and backrest pads are exchangeable - so you will not need to replace your chair just because the upholstery needs to be changed. This benefits both your wallet and the environment.

Guarantee

An RH chair is built to withstand stress and to last. Before it leaves our factory it goes through rigorous tests and checks. For this reason, we also provide a five-year guarantee on the RH Extend. In addition, the RH Extend has been tested and approved in accordance with Möbelfakta EN-1335.



Options



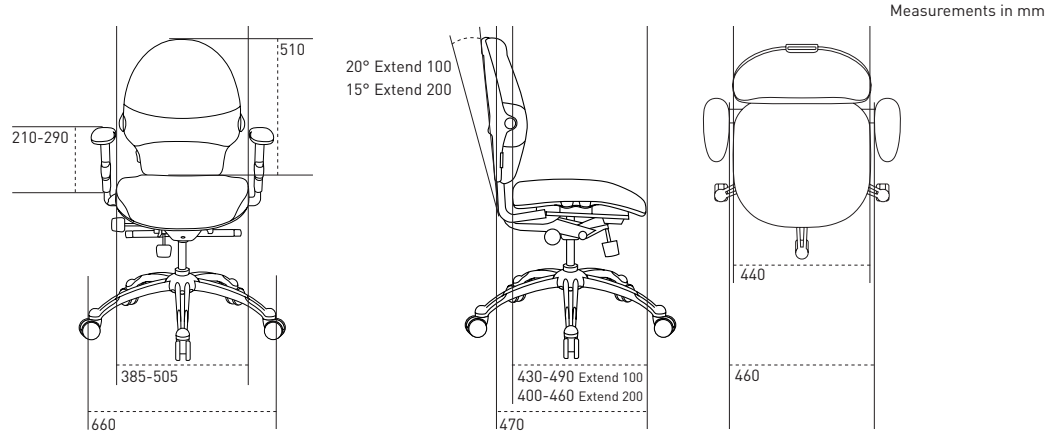
RH Extend

For the sake of flexibility, a number of accessories are available for the RH Extend. Naturally, you can also buy the basic chair and add accessories as you need them.

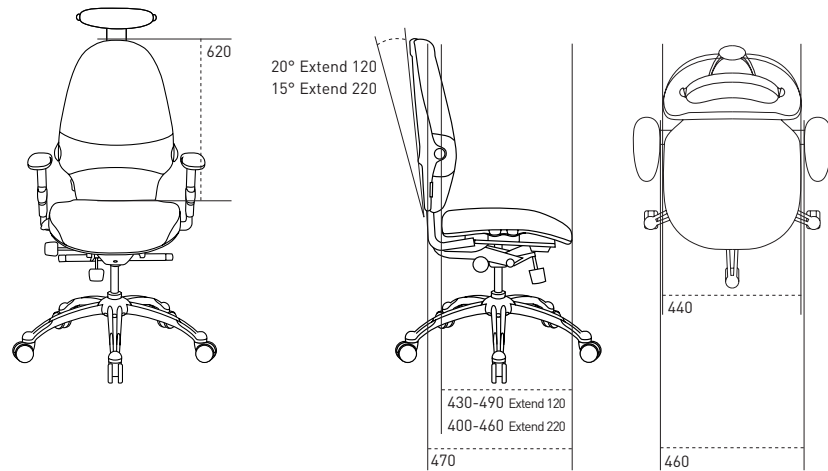
- 1 Neckrest
- 2 Coat-hanger
- 3 Exchangeable pad
- 4 Decorative stitching
- 5 Armrest 8E (height, depth, width)
- 6 Armrest 8S (height, width, rotating)
- 7 Castors 7H for hard floors
- 8 Base 5MP polished aluminium

Gas stem available for different heights
 Standard, approx. 405-510 mm
 4P, approx. 445-555 mm

RH Extend 100, 200



RH Extend 120, 220



Chair model	Extend 100	Extend 200	Extend 120	Extend 220
Overall depth	430-490 mm	400-460 mm	430-490 mm	400-460 mm
Seat depth	470 mm	470 mm	470 mm	470 mm
Seat width	460 mm	465 mm	460 mm	460 mm
Overall height	400-510 mm	400-510 mm	400-510 mm	400-510 mm
Seat angle adjustment	+5°-8°	+5°-8°	+5°-8°	+5°-8°
Height of lumbar support above the seat	180-255 mm	180-255 mm	170-245 mm	170-245 mm
Backrest height	510 mm	510 mm	620 mm	620 mm
Backrest height adjustment (from seat)	545-620 mm	545-620 mm	650-725 mm	650-725 mm
Backrest width	440 mm	440 mm	440 mm	440 mm
Back angle adjustment	20°	15°	20°	15°
Height of armrest above seat	210-290 mm	210-290 mm	210-290 mm	210-290 mm
Distance between armrests	385-505 mm	385-505 mm	385-505 mm	385-505 mm
Diameter of base	660 mm	660 mm	660 mm	660 mm

The design and specifications of RH Chairs' products are developed on an ongoing basis and the above formulations should not be perceived as completely final.